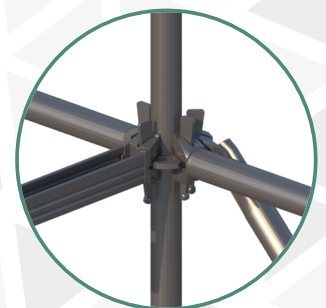
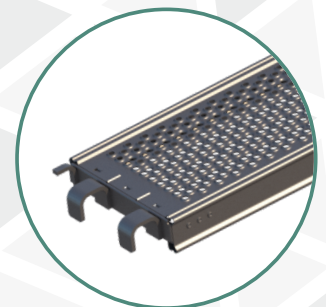
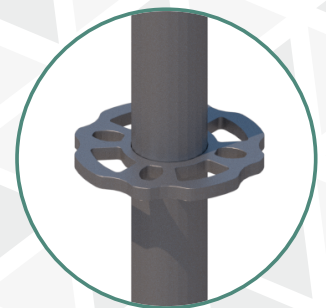




SCAFFOLDING PRODUCER



PRODUCT CATALOGUE

MULTISYSTEM / SLV M

SUCCESS IS BORN OF PASSION



SLV-Group was founded in in the 90's in Germany under the name of DiMN Geruste. A dynamic growth of the Polish economy made it possible to move the business to Poland in 2006. The company's new name and image are the result of merging with Nova-Tech a big Polish scaffolding manufacturer. This way we showed that succes consists mainly in excelent cooperation and partnership. We have built a solid foundation of our company thanks to passion, involvement and hard work.

Our work is our passion, therefore we keep improving our products and expanding the sales area. As professionals we value a personal approach to the customer. We are continually setting new goals and broadening our offer i.a. by producing non-standard custom-made scaffolding elements.

Our experienced SLV-Group team and the technical support of Nova-Tech are a guarantee of safety, stability and professional service for our customers. We produce our scaffolding in Poland using a modern and advanced technology. A qualified team from Poland, Germany and Sweden ensures a high and consistent quality of our products.



The following features of our products make them stand out from the other's on the market:

Lightness: thanks to the application of high quality S235JRH steel

Durability: thanks to lenghtening the welds and application of consolidations and special fittings

Resistance: thanks to the application of hot-dip galvanized zinc which protect against corrosion.

We know everything about scaffolding. Now we would like to share this knowledge with our customers

WE ALWAYS KEEP TESTING AND IMPROVING OUR PRODUCTS



CONTENTS PAGE

MULTISYSTEM CHARACTERISTICS	P. 4-5
1. DIAGONAL ELEMENTS	P. 6-7
2. VERTICAL ELEMENTS	P. 8-9
3. BRACINGS	P. 10
4. PLATFORMS	P. 11-19
5. TOEBOARDS	P. 19
6. BASE JACK/STANDS	P. 20
7. ANCHOR	P. 20
8. COMPLEMENTARY ELEMENTS	P. 21-23

Why choose our scaffoldings ?

PROFESSIONALISM

The SLV-GROUP Team has all the knowledge and tools necessary to properly calculate the parameters of a scaffolding. We always try to meet the expectations of our customers.

FLEXIBILITY

Our customers can choose from a diverse offer of scaffolding products in order to suit their needs and expectations. We are able to produce even the most unusual scaffolding elements.

SAFETY AND COMPATIBILITY WITH THE REGULATIONS

A stable construction of the scaffoldings is friendly for people working at heights. Our products have all the necessary certificates and meet safety standards.

GUARANTEE OF QUALITY

We offer products of excellent quality, made with great care to details, at low prices.

TRUST

We won the trust of hundreds of companies from around the world who became our long-standing customers.

HEAD OFFICE AND WAREHOUSE

Cieśle 1G, 56-400 Oleśnica
tel. 071 315 41 40, fax 071 315 40 18
e-mail: biuro@slv-group.eu

BRANCH IN WARSAW

ul. Mszczonowska 20B, 05-090 Janki
tel. mob. + 48 531 908 771
e-mail: warszawa@slv-group.eu

BRANCH IN KRAKOW

ul. Myślenicka 121, 32-031 Mogilany
tel. mob. + 48 509 539 202
e-mail: krakow@slv-group.eu

www.slv-group.eu

Follow us on 

www.facebook.com/SLVGROUPl

MULTISYSTEM CHARACTERISTICS

MULTISYSTEM modular scaffolding can be used, among others, as:

- facade scaffolding
- mobile scaffolding
- hanging scaffolding
- industrial scaffolding
- scaffolding with irregular and complex shape
- work platforms
- stage constructions, stands
- staircases
- scaffolding for advertising banners.

Components of the MULTISYSTEM:

Steel stands – 0.55m high; 1m; 1,50m; 2,00m; 2,50m; 3,00m. Each is equipped with rosettes spaced every half a meter, which are used for mounting longitudinal ledgers, transverse ledgers and bracing. Welded working planks mounted on transoms are made of 1.25 and 1.50 mm thick steel sheets.

The MULTISYSTEM uses platforms: type "O" and type "U" (also used in the frame system – RAM 1). Riveted platforms of 1,25mm sheet thickness have the same performance parameters and load classes as their welded counterparts. Communication between levels is ensured by aluminium-plywood or fully aluminium communication planks, available in 2 length versions – 2.57 and 3.07 m. The scaffolding can be extended with an external staircase, thanks to which it is possible to move between levels without reducing working surface on the scaffolding. Diagonal bracing (vertical bracing) is used for stiffening the structure, finished with wedge heads, for installation in larger rosette holes.

Consoles are used to widen the scaffolding field both from the outside and the inside. Modular scaffolding is universal. In the event of an irregular building shape, the consoles allow the vertical axis of the scaffolding to be moved. By using the "U" or "O" bridge ledgers, we are able to build a scaffolding with a width of up to 3 meters, which allows for unlimited application possibilities ranging from simple facades to complex footbridges or suspensions. Lattice beams are used, among others, to build beams the protruding structural elements of the building, provide communication under the scaffolding e.g. for pedestrian traffic, and are also necessary when building all kinds of platforms. The scaffolding height is adjusted vertically using steel jack bases and starting collar. In addition, the safety of work on the scaffolding is ensured by the use of curbs, transoms and a system of anchoring to the building walls.

STAGES OF PRODUCTION

- » measurement control of material provided by reliable supplier
- » drilling holes in order to mount pig tail pins which prevent disconnection
- » placing a main tube with the right amount of rosettes in welding robot
- » measurement and visual control of stand
- » stand is delivered to galvanize station in order to apply an anti-corrosive coating
- » cleaning and marking

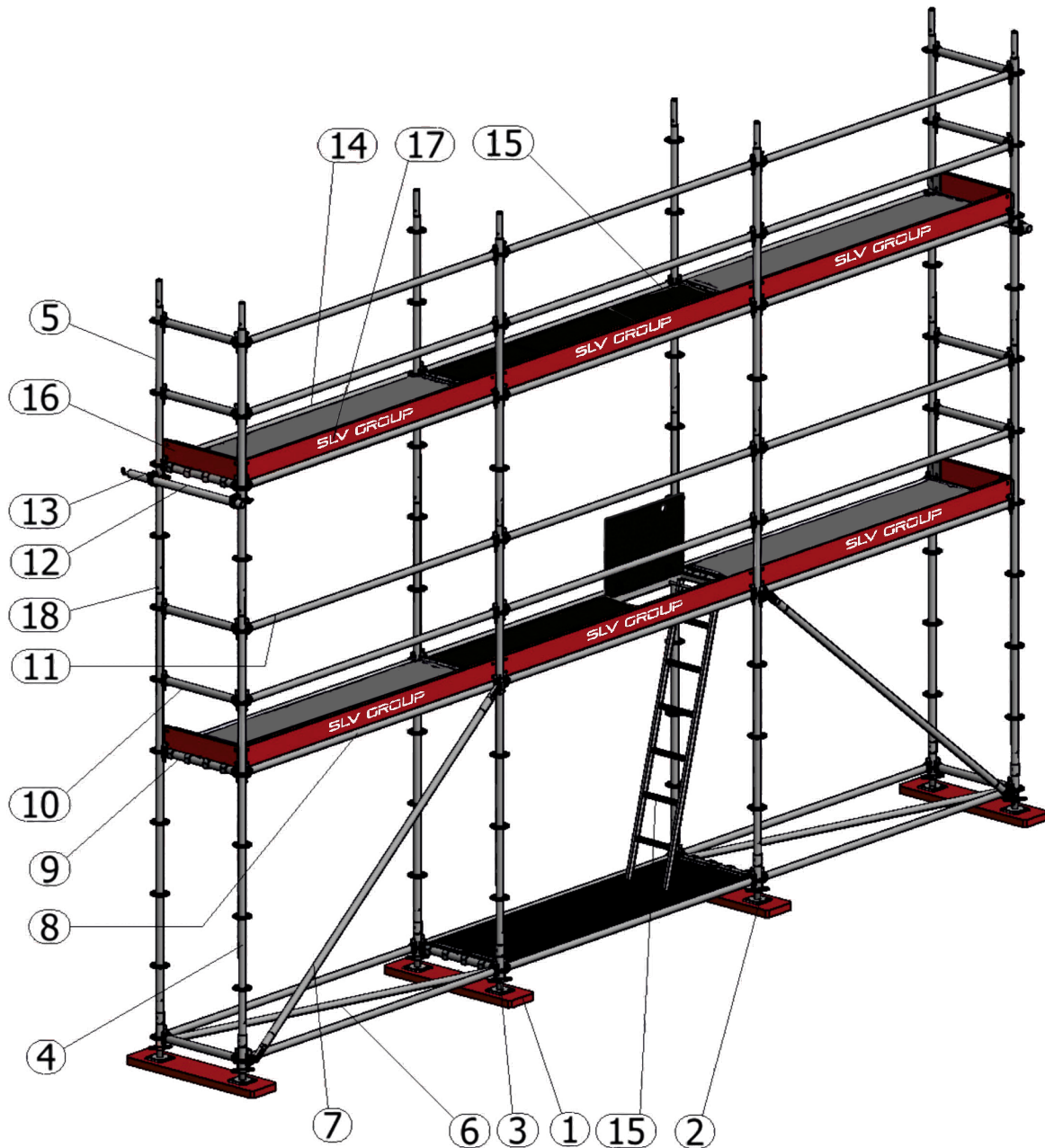
BENEFITS

- » easy and quick assemble achieved thanks to prefabricated elements
- » stable and stiff construction and diagonal (vertical) bracings allowing to transmission of heavy loads
- » safe communication and easy access to workplace
- » work performance is made from ergonomic and safe position
- » possibility of communication from access ladders or external staircases
- » guardrails and toeboards for safe work

USAGE SAFETY

- » our products are certified by Institute of Construction Mechanization and Rock Mining and safety mark B
- » PN-EN 12810 standard approved – scaffolding made from prefabricated elements

MULTI SYSTEM



1. Wooden base
2. Jack base
3. Starting collar
4. Vertical stand 3,0 m
5. Vertical stand 2,0 m
6. Horizontal bracing
7. Vertical bracing
8. O-Ledger / Vertical steel ledger
9. O-Ledger / Vertical steel ledger

10. O-Ledger / Vertical steel ledger
11. O-Ledger / Vertical steel ledger
12. Anchor
13. Swivel coupler
14. Steel plank
15. Aluplywood access with ladder
16. Wooden toeboard
17. Wooden toeboard
18. Pig tail pin

1. VERTICAL ELEMENTS

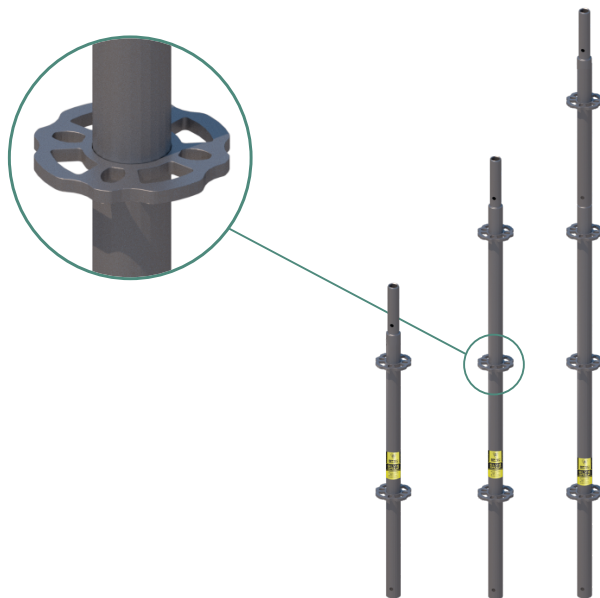
STANDS

Stands are made out of tube 48,3 x 3,2mm steel type S235 JR, of plasticity Re slightly bigger than 320 Mpa, hot dipped galvanized.

Before the production process starts every piece of tube is sent to Institute to check if the certification is compatible with delivered batch of tubes in order to avoid falsification of material provenance.

▶ STAND WITH TUBE CONNCETOR

- » variety of heights allow to fit stand to uneven ground
- » equipped in rosette's with holes to mount bracings (vertical and horizontal), guardrails and ledgers
- » vertical post is putted on a starting collar as a base of the construction



Stands are equipped with rosette's every 0,5m with 8 holes. Bigger holes are for vertical and horizontal bracings and ledgers.

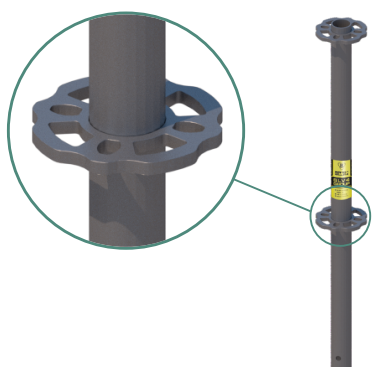
Rosette's are welded on automatic welding robots.

– **guarantee of welding quality.**

Catalogue no	Height [m]	Weight [kg]
SLV-M-01-01-01	0,55	3,2
SLV-M-01-01-02	1,00	5,4
SLV-M-01-01-03	1,50	7,7
SLV-M-01-01-04	2,00	9,8
SLV-M-01-01-05	2,50	12,1
SLV-M-01-01-06	3,00	14,4

▶ STAND WITHOUT TUBE CONNCETOR

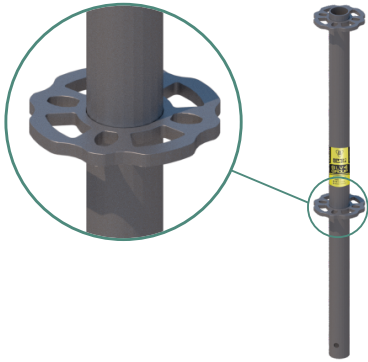
- » made to attach jack base in floating scaffolding positions
- » vertical post is putted on a starting collar as a base of construction



Catalogue no	Height [m]	Weight [kg]
SLV-M-01-02-01	0,55	2,8
SLV-M-01-02-02	1,00	4,3
SLV-M-01-02-03	1,50	6,8
SLV-M-01-02-04	2,00	8,9
SLV-M-01-02-05	2,50	11,2
SLV-M-01-02-06	3,00	13,5

▶ STAND WITH TUBE SCREWED CONNECTOR

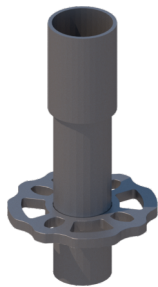
- » vertical post is putted on a starting collar as a base of construction
- » made to attach jack base in floating scaffolding positions



Catalogue no	Height [m]	Weight [kg]
SLV-M-01-04-01	1,00	3,9
SLV-M-01-04-02	1,50	6,5
SLV-M-01-04-03	2,00	8,7
SLV-M-01-04-04	3,00	11,0

▶ STARTING COLLAR

- » starting element allows to mount first level of scaffolding and stands, putted directly on jack bases
- » thanks to good quality steel its possible to use 3,2mm tubes according To norm PN-EN 12810-1:2010
- » tube profile 48,3 x 3,2; steel S235JR
- » base profile 57,3 x 3,2; steel S235JR
- » vertical post is putted on a starting collar as a base of construction



Catalogue no	Height [m]	Weight [kg]
SLV-M-01-05-01	0,23	1,4
SLV-M-01-05-01-0,50	0,50	2,0

2. HORIZONTAL ELEMENTS

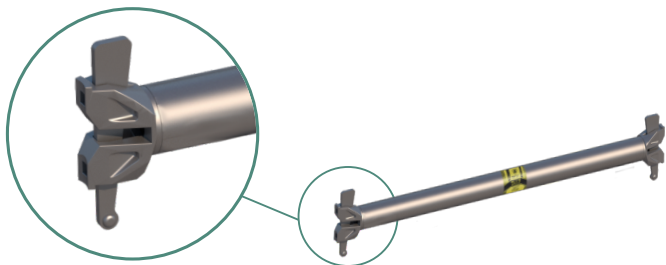
LEDGERS

— Ledgers are made of tube 48,3 x 2,7. Made out of hot dipped galvanized steel.

— They are used as brackets to platforms, stands and as element that stiffens all construction.

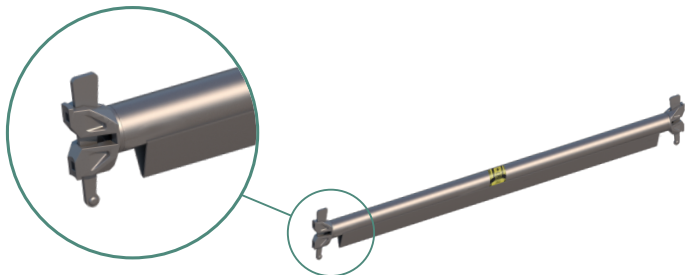
► O-LEDGER / HORIZONTAL STEEL LEDGER

» they are used as brackets to platforms, stands and as element that stiffens all construction



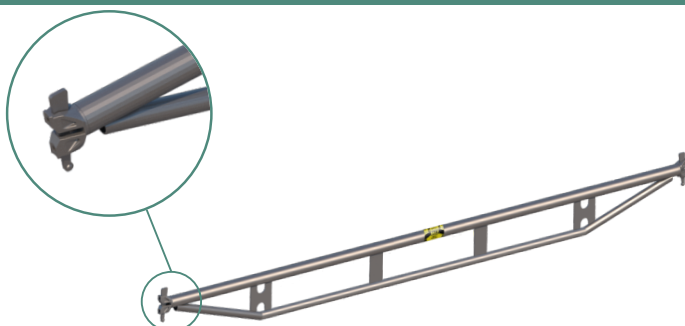
► O-LEDGER REINFORCED

» applied in wider constructions where greater loads are carried
» has additional reinforcement



► DOUBLE O-LEDGER

» with stiffing base made to set platforms on pipe bases with heavy loads



— Installed on short sections between stands. Protecting the side of scaffolding.

— Wedge mount system to smaller hole of rosette by hitting with hammer

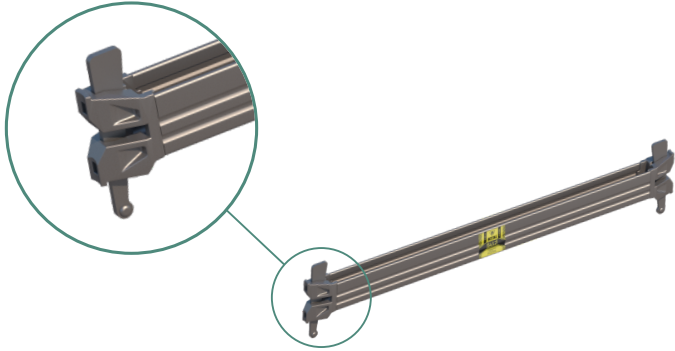
Catalogue no	Length [m]	Weight [kg]
SLV-M-02-01-01	0,73	3,5
SLV-M-02-01-02	1,09	4,5
SLV-M-02-01-03	1,40	5,8
SLV-M-02-01-04	1,57	6,5
SLV-M-02-01-05	2,07	7,8
SLV-M-02-01-06	2,57	9,7
SLV-M-02-01-07	3,07	11,0

Catalogue no	Length [m]	Weight [kg]
SLV-M-03-02-01	1,09	9,0
SLV-M-03-02-02	1,40	9,9

Catalogue no	Length [m]	Weight [kg]
SLV-M-03-02-03	1,57	9,7
SLV-M-03-02-04	2,07	12,8
SLV-M-03-02-05	2,57	15,9
SLV-M-03-02-06	3,07	19,0

► U-LEDGER

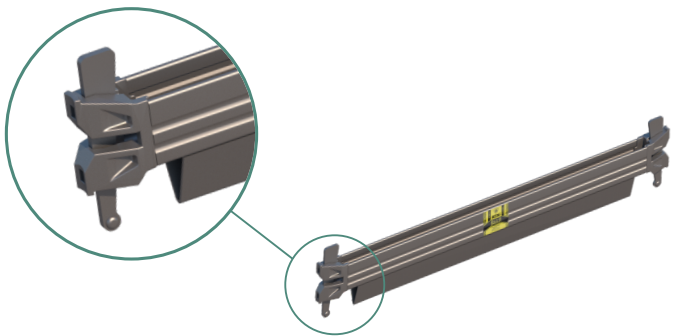
» allows usage of platforms made for RAMI system



Catalogue no	Length [m]	Weight [kg]
SLV-M-03-01-01	0,73	3,1

► U-LEDGER REINFORCED

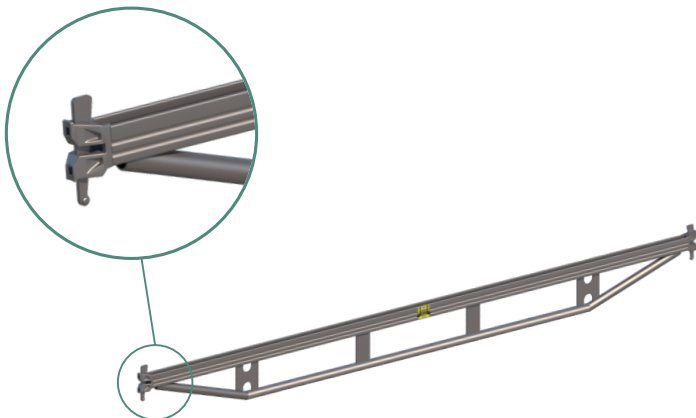
» applied to set platforms on pipe bases with greater loads
 » wider constructions can be made with applying U-ledger
 » has additional reinforcement



Catalogue no	Length [m]	Weight [kg]
SLV-M-03-01-02	1,09	6,6
SLV-M-03-01-03	1,40	8,3

► DOUBLE U-LEDGER

» with stiffing pipe made to set platforms on base with heavy



Catalogue no	Length [m]	Weight [kg]
SLV-M-03-01-04	1,57	9,8
SLV-M-03-01-05	2,07	12,8
SLV-M-03-01-06	2,57	16,0
SLV-M-03-01-07	3,07	19,2

3. BRACINGS

► VERTICAL BRACING

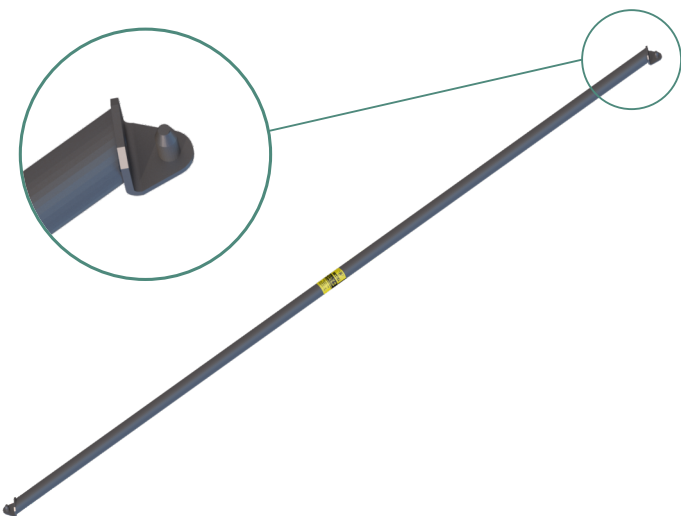
- » made of tube 48,3 x 2,3 mm
- » made of hot dipped galvanized steel
- » stiffens all construction
- » allows to build unusual constructions
- » length of the bracing is matched to height of scaffolding



Catalogue no	To Field	Weight [kg]
SLV-M-06-01-01	0,73 x 2,00	7,9
SLV-M-06-01-02	1,09 x 2,00	8,3
SLV-M-06-01-03	1,40 x 2,00	8,7
SLV-M-06-01-04	1,57 x 2,00	9,0
SLV-M-06-01-05	2,07 x 2,00	10,0
SLV-M-06-01-06	2,57 x 2,00	11,0
SLV-M-06-01-07	3,07 x 2,00	12,10
SLV-M-06-02-01	0,73 x 1,00	5,15
SLV-M-06-02-02	1,09 x 1,00	5,99
SLV-M-06-02-03	1,40 x 1,00	6,4
SLV-M-06-02-04	1,57 x 1,00	6,9
SLV-M-06-02-05	2,07 x 1,00	8,2
SLV-M-06-02-06	2,57 x 1,00	9,5
SLV-M-06-02-07	3,07 x 1,00	10,8

► HORIZONTAL BRACING

- » made of tube 42,4 x 2,5 mm
- » made of hot dipped galvanized steel
- » stiffens horizontal surfaces in scaffolding
- » length of the bracing is matched to height of scaffolding



Catalogue no	To Field	Weight [kg]
SLV-M-06-03-01	2,07 x 2,07	10,0
SLV-M-06-03-02	2,57 x 2,57	12,2
SLV-M-06-03-03	3,07 x 3,07	14,0

4. PLANKS

WELDED STEEL PLANKS

Produced on most modern profiling machine in Poland, 2nd in Europe.

Steel planks are made from individual profile project developed with German scaffolding producer and German Scaffolding certification institute.

Thanks to modern production line we are able to manufacture 160, 190, 290, 320 mm wide planks.

All components used to build our planks are made by us. In particular stages of productions we control quality to avoid defective batches.

► STEEL PLANK O-TYPE

- » perforated steel help avoid slipping
- » meet the requirements of DIN EN 12811
- » handles easily attaches to O-ledgers which helps faster assembly
- » one of the most important construction elements
- » 19 cm wide planks are used in most unusual construction where normal planks can't be applied

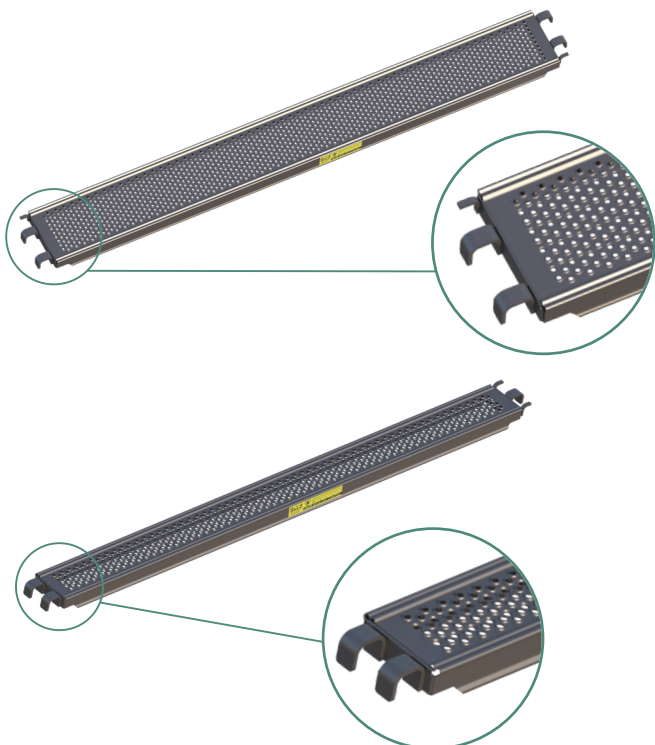


Plate used to production of platforms is:

- S235JRH 1,25 or 1,50mm*

- platform front from plate

S355MC 2,0 mm

*On customers demand we produce planks out of 1,50 mm steel

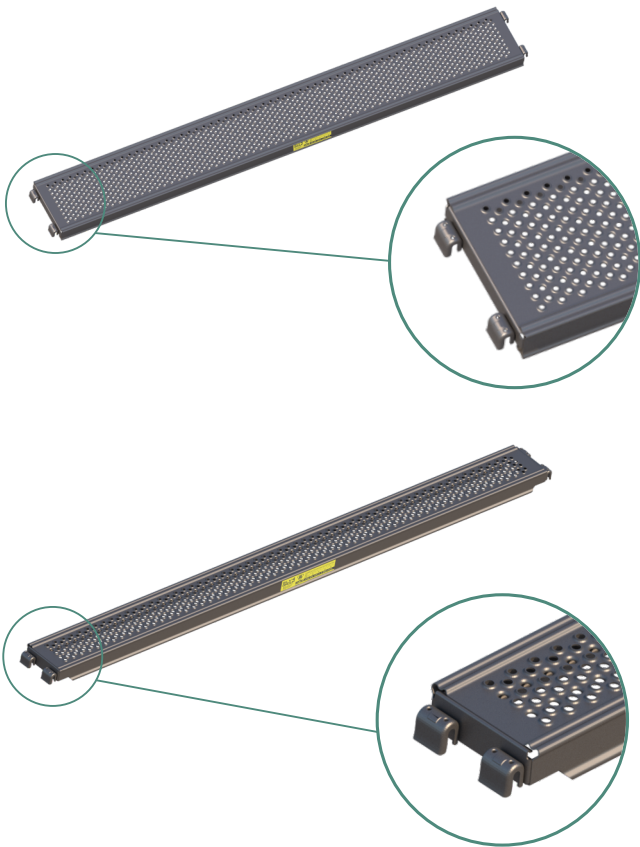
All process of profile production is made without human intervention, which eliminates human errors.

Planks are welded on 3 robotized welding stations.

Catalogue no	Length [m]	Width [m]	Weight [kg]
SLV-M-08-02-08	0,73	0,32	7,0
SLV-M-08-02-09	1,09	0,32	8,0
SLV-M-08-02-10	1,40	0,32	9,8
SLV-M-08-02-11	1,57	0,32	10,5
SLV-M-08-02-12	2,07	0,32	13,5
SLV-M-08-02-13	2,57	0,32	16,5
SLV-M-08-02-14	3,07	0,32	19,5
SLV-M-07-02-01	0,73	0,19	5,05
SLV-M-07-02-02	1,09	0,19	7,3
SLV-M-07-02-03	1,40	0,19	9,25
SLV-M-07-02-04	1,57	0,19	9,5
SLV-M-07-02-05	2,07	0,19	11,7
SLV-M-07-02-06	2,57	0,19	14,1
SLV-M-07-02-07	3,07	0,19	16,4

► STEEL PLANK U-TYPE

- » perforated steel help avoid slipping
- » meet the requirements of DIN EN 12811
- » handles easily attaches to U-ledgers which helps faster assembly
- » one of the most important construction elements
- » 19 cm wide planks are used in most unusual construction where normal platforms can't be applied



Catalogue no	Length [m]	Width [m]	Weight [kg]
SLV-73-02-01-06	0,73	0,32	5,7
SLV-73-02-01-05	1,09	0,32	7,5
SLV-73-02-01-04	1,57	0,32	11,5
SLV-73-02-01-03	2,07	0,32	13,4
SLV-73-02-01-02	2,57	0,32	16,5
SLV-73-02-01-01	3,07	0,32	19,0
SLV-M-07-01-01	0,73	0,19	4,5
SLV-M-07-01-02	1,09	0,19	6,4
SLV-M-07-01-03	1,40	0,19	8,7
SLV-M-07-01-04	1,57	0,19	8,8
SLV-M-07-01-05	2,07	0,19	11,1
SLV-M-07-01-06	2,57	0,19	13,4
SLV-M-07-01-07	3,07	0,19	15,7

RIVETED STEEL PLANKS

SLV-Group started riveted planks production in 2017. Insertion of a new product took us over a year. A series of tests in independent institutes and Partners across the Europe confirmed that our plank have passed all of endurance test.

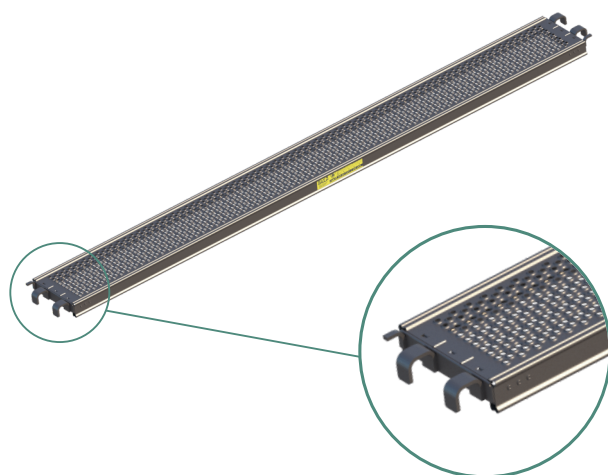
Plank profile is made out of galvanized plate of 1,25mm thickness, but the front has a 2,50mm plate.

Production of plank from galvanized plate is less expensive because of eliminating additional logistic costs and shortening time of production.

To connect the front and the profile of plank we use 12 rivetes. The number of them was counted and aproved by Institute of Construction Mechanization and Rock Mining in Warsaw. The riveted connection is as durable and strong as welded.

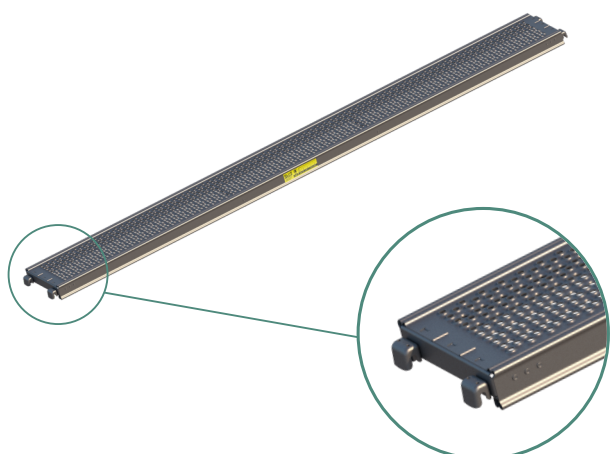
Thanks to application of special machine to riveting we've got oportunity to prezent totally new product to whole European market. We are the only company with this kind of technology.

▶ RIVETED STEEL PLANK O-TYPE



Catalogue no	Length [m]	Width [m]	Weight [kg]
SLV-M-08-02-01	0,73	0,32	6,0
SLV-M-08-02-02	1,09	0,32	8,0
SLV-M-08-02-03	1,40	0,32	9,8
SLV-M-08-02-04	1,57	0,32	10,5
SLV-M-08-02-05	2,07	0,32	13,5
SLV-M-08-02-06	2,57	0,32	16,5
SLV-M-08-02-07	3,07	0,32	18,4

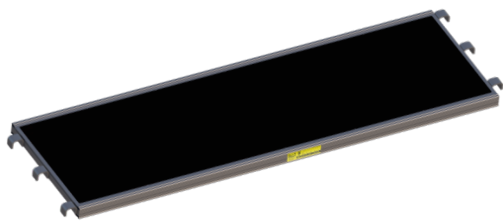
▶ RIVETED STEEL PLANK U-TYPE



Catalogue no	Length [m]	Width [m]	Weight [kg]
SLV-73-02-01-06-N	0,73	0,32	5,7
SLV-73-02-01-05-N	1,09	0,32	7,5
SLV-73-02-01-04-N	1,57	0,32	11,5
SLV-73-02-01-03-N	2,07	0,32	13,4
SLV-73-02-01-02-N	2,57	0,32	16,5
SLV-73-02-01-01-N	3,07	0,32	19,0

▶ ALUPLYWOOD PLANK O-TYPE

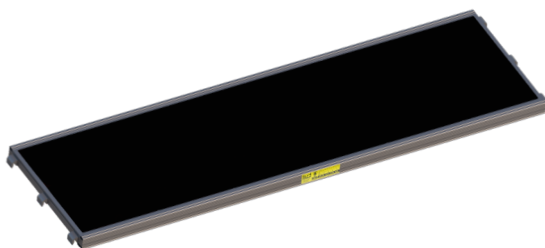
- » platform frame made out of aluminium
- » plywood board
- » convertible with other planks
- » handles easily attaches to O-ledgers which helps faster assembly
- » waterproof plywood used in production meets the requirement of DIN68705 standard and certification of class E1 emission



Catalogue no	Length [m]	Width [m]	Weight [kg]
SLV-M-09-01-09	1,57	0,61	13,2
SLV-M-09-01-10	2,07	0,61	17,0
SLV-M-09-01-11	2,57	0,61	20,0
SLV-M-09-01-12	3,07	0,61	23,0

▶ ALUPLYWOOD PLANK U-TYPE

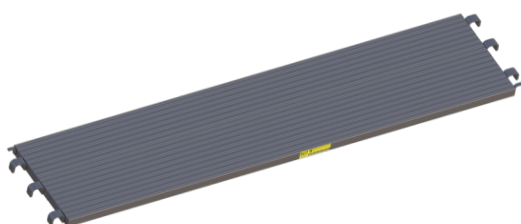
- » platform frame made out of aluminium
- » plywood board
- » convertible with other planks
- » handles easily attaches to U-ledgers which helps faster assembly
- » waterproof plywood used in production meets the requirement of DIN68705 standard and certification of class E1 emission



Catalogue no	Length [m]	Width [m]	Weight [kg]
SLV-73-02-03-06	0,73	0,61	7,2
SLV-73-02-03-05	1,09	0,61	9,7
SLV-73-02-03-04	1,57	0,61	13,1
SLV-73-02-03-03	2,07	0,61	16,4
SLV-73-02-03-02	2,57	0,61	20,4
SLV-73-02-03-01	3,07	0,61	25,0
SLV-73-02-03-10	1,57	0,32	9,9
SLV-73-02-03-09	2,07	0,32	11,5
SLV-73-02-03-08	2,57	0,32	14,7
SLV-73-02-03-07	3,07	0,32	16,0

▶ FULL ALUMINIUM PLANK O-TYPE

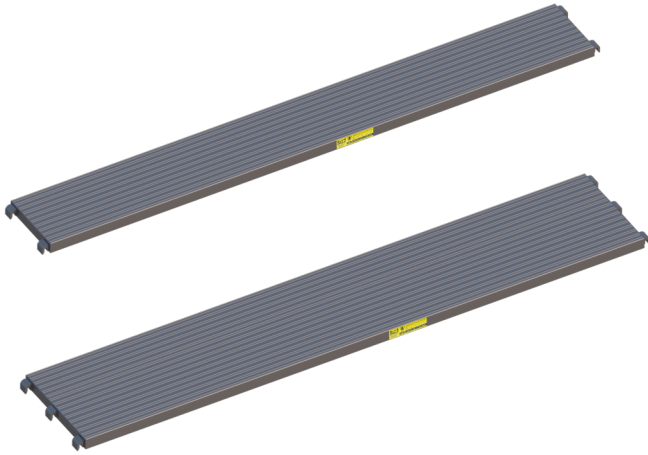
- » entirely made out of aluminium
- » resistant to all weather conditions with anti-slip surface



Catalogue no	Length [m]	Width [m]	Weight [kg]
SLV-M-09-01-13	1,57	0,61	12,0
SLV-M-09-01-14	2,07	0,61	15,0
SLV-M-09-01-15	2,57	0,61	18,0
SLV-M-09-01-16	3,07	0,61	20,0

► FULL ALUMINIUM PLANK U-TYPE

- » entirely made out of aluminium
- » the lightest version of plank




Catalogue no	Length [m]	Width [m]	Weight [kg]
SLV-73-02-02-06	0,73	0,61	4,5
SLV-73-02-02-05	1,09	0,61	7,5
SLV-73-02-02-04	1,57	0,61	10,5
SLV-73-02-02-03	2,07	0,61	13,5
SLV-73-02-02-02	2,57	0,61	16,8
SLV-73-02-02-01	3,07	0,61	21,0
SLV-73-02-02-07	3,07	0,32	12,5
SLV-73-02-02-08	2,57	0,32	10,7
SLV-73-02-02-09	2,07	0,32	7,6
SLV-73-02-02-10	1,57	0,32	6,9

► ALUPLYWOOD ACCESS WITH LADDER O-TYPE

- » plank frame made out of aluminium
- » plywood board
- » aluminium ladder integrated with plank
- » allow moving between levels
- » meet the requirement of DIN EN 12811 standard



	Length [m]	Width [m]	Weight [kg]
SLV-M-09-01-19	2,57	0,61	25,5
SLV-M-09-01-20	3,07	0,61	28,8

► ALUPLYWOOD ACCESS WITH LADDER U-TYPE

- » platform frame made out of aluminium
- » plywood board
- » aluminium ladder integrated with plank
- » allow moving between levels
- » meet the requirement of DIN EN 12811 standard



Catalogue no	Length [m]	Width [m]	Weight [kg]
SLV-73-02-05-03	2,07	0,61	21,0
SLV-73-02-05-02	2,57	0,61	25,0
SLV-73-02-05-01	3,07	0,61	29,0

► ALUMINIUM ACCESS WITH LADDER O-TYPE

- » entirely made out of aluminium
- » aluminium ladder integrated with plank
- » allow moving between levels
- » light and anti-slip



Catalogue no	Length [m]	Width [m]	Weight [kg]
SLV-M-09-01-23	2,57	0,61	26,6
SLV-M-09-01-24	3,07	0,61	30,0

► ALUMINIUM ACCESS WITH LADDER U-TYPE

- » entirely made out of aluminium
- » aluminium ladder integrated with plank
- » allow moving between levels
- » light and anti-slip



Catalogue no	Length [m]	Width [m]	Weight [kg]
SLV-73-02-06-03	2,07	0,61	21,4
SLV-73-02-06-02	2,57	0,61	23,0
SLV-73-02-06-01	3,07	0,61	25,0

REINFORCED PLANKS

Frame of plank is made from sections of increased longitudinally and transversely resistance indicator. Welded by fully automated MIG/MAG machines.

In milling process we produce plywood forms from BFU-100 and BFU-100G.

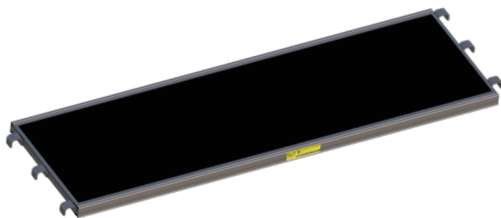
Elements are connected by steel hot dipped rivets.

Planks are equipped in reinforced stringer by 20% in case of 0,73 to 2,57 planks, when speaking of 3,07 plank it's increased for 35%.

Head of plank which is the front is additionally reinforced which prevent from any kind of bending our product.

Profile of ladder is 2mm

▶ ALUPLYWOOD PLANK O-TYPE PLUS



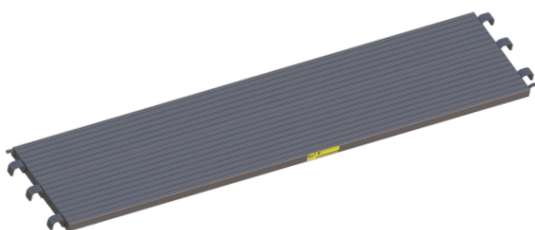
Catalogue no	Length [m]	Width [m]	Weight [kg]
SLV-M-09-01-09-P	1,57	0,61	15,2
SLV-M-09-01-10-P	2,07	0,61	18,2
SLV-M-09-01-11-P	2,57	0,61	21,5
SLV-M-09-01-12-P	3,07	0,61	24,5

▶ ALUPLYWOOD PLANK U-TYPE PLUS



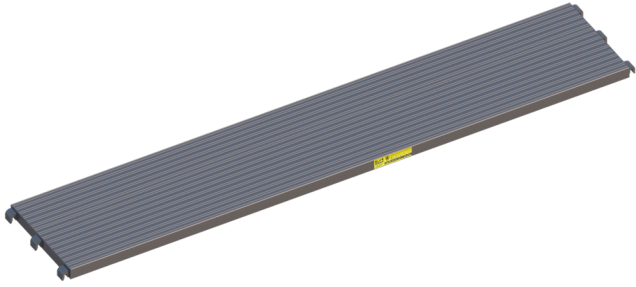
Catalogue no	Length [m]	Width [m]	Weight [kg]
SLV-73-02-03-06-P	0,73	0,61	9,2
SLV-73-02-03-05-P	1,09	0,61	11,7
SLV-73-02-03-04-P	1,57	0,61	15,1
SLV-73-02-03-03-P	2,07	0,61	18,4
SLV-73-02-03-02-P	2,57	0,61	22,4
SLV-73-02-03-01-P	3,07	0,61	27,0

▶ ALUMINIUM PLANK O-TYPE PLUS



Catalogue no	Length [m]	Width [m]	Weight [kg]
SLV-M-09-01-13-P	1,57	0,61	13,5
SLV-M-09-01-14-P	2,07	0,61	16,5
SLV-M-09-01-15-P	2,57	0,61	18,5
SLV-M-09-01-16-P	3,07	0,61	20,5

▶ ALUMINIUM PLANK U-TYPE PLUS



Catalogue no	Length [m]	Width [m]	Weight [kg]
SLV-73-02-02-06-P	0,73	0,61	6,5
SLV-73-02-02-05-P	1,09	0,61	9,5
SLV-73-02-02-04-P	1,57	0,61	12,5
SLV-73-02-02-03-P	2,07	0,61	15,5
SLV-73-02-02-02-P	2,57	0,61	20,8
SLV-73-02-02-01-P	3,07	0,61	23,0

▶ ALUPLYWOOD ACCESS WITH LADDER O-TYPE PLUS



Catalogue no	Length [m]	Width [m]	Weight [kg]
SLV-M-09-01-19-P	2,57	0,61	27,0
SLV-M-09-01-20-P	3,07	0,61	30,0

▶ ALUPLYWOOD ACCESS WITH LADDER U-TYPE PLUS



Catalogue no	Length [m]	Width [m]	Weight [kg]
SLV-73-02-05-03-P	2,07	0,61	24,0
SLV-73-02-05-02-P	2,57	0,61	28,0
SLV-73-02-05-01-P	3,07	0,61	32,0

▶ ALUMINIUM ACCESS WITH LADDER O-TYPE PLUS



Catalogue no	Length [m]	Width [m]	Weight [kg]
SLV-M-09-01-23-P	2,57	0,61	28,1
SLV-M-09-01-24-P	3,07	0,61	31,4

▶ ALUMINIUM ACCESS
WITH LADDER U-TYPE PLUS



Catalogue no	Length [m]	Width [m]	Weight [kg]
SLV-73-02-06-03-P	2,07	0,61	24,4
SLV-73-02-06-02-P	2,57	0,61	26,0
SLV-73-02-06-01-P	3,07	0,61	28,0

5. WOODEN TOEBOARDS

▶ WOODEN TOEBOARD

- » made of solid spruce wood
- » finished with steel fittings from both sides
- » installed by the longer side of planks
- » secures smaller elements from falling down from scaffolding



Catalogue no	Length [m]	Width [m]	Weight [kg]
SLV-M-05-01-01	0,73	0,15	1,5
SLV-M-05-01-02	1,09	0,15	2,5
SLV-M-05-01-03	1,40	0,15	3,4
SLV-M-05-01-04	1,57	0,15	3,5
SLV-M-05-01-05	2,07	0,15	4,3
SLV-M-05-01-06	2,57	0,15	5,7
SLV-M-05-01-07	3,07	0,15	6,3

6. BASE

► JACK BASE

- » begins installation of scaffolding
- » made of hot dipped or galvanized steel
- » selfcleaning threads with a diameter of 38mm
- » base plate size 150x150
- » it allows to put scaffolding higher by regulating the threads
- » the thread is marked 20cm before end to prevent unscrew from construction
- » jacks are made to level uneven ground

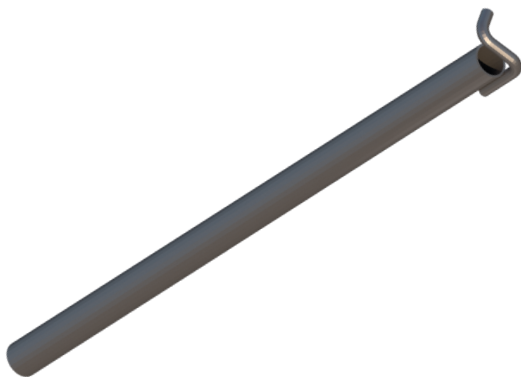


Catalogue no	Height [m]	Weight [kg]
SLV-UNI-07-02-00 galvanized	0,3	2,9
SLV-UNI-07-02-01 galvanized	0,5	3,35
SLV-UNI-07-03-01 hot dipped galvanized	0,6	3,6
SLV-UNI-07-04-01 hot dipped galvanized	0,8	4,5
SLV-UNI-07-04-02 galvanized	0,8	4,5

7. ANCHOR

► SCAFFOLDING ANCHOR

- » made of hot dipped steel
- » carries external weight
- » made to attach scaffolding to building



Catalogue no	Length [m]	Weight [kg]
SLV-UNI-01-01-10	0,3	1,3
SLV-UNI-01-01-09	0,4	2,0
SLV-UNI-01-01-08	0,5	2,1
SLV-UNI-01-01-07	0,6	2,4
SLV-UNI-01-01-06	1,0	3,9
SLV-UNI-01-01-05	1,1	4,0
SLV-UNI-01-01-04	1,2	4,1
SLV-UNI-01-01-03	1,3	4,5
SLV-UNI-01-01-02	1,5	5,8
SLV-UNI-01-01-01	2,0	7,5

8. COMPLEMENTARY ELEMENTS

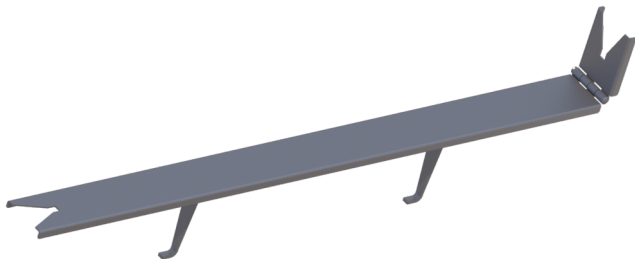
► TUBE CONNECTOR + SCREW

- » made of hot dipped galvanized steel
- » made to connect stands in hanging scaffolding and to reduce width of scaffolding for e.g. to bypass balconies



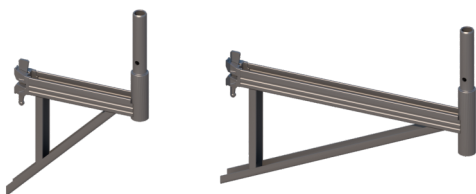
► PLANK FASTENING SUPPORT

- » made of hot dipped galvanized steel
- » designed to U-ledgers
- » secures planks against sliding out from ledgers



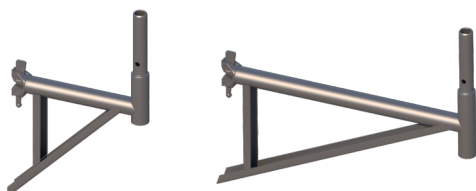
► U-CONSOLE

- » made of hot dipped galvanized steel
- » designed to expand scaffolding by 1 or 2 planks
- » can be installed externally and internally from side of building



► O-CONSOLE

- » made of hot dipped galvanized steel
- » designed to expand scaffolding by 1 or 2 planks
- » can be installed externally and internally from side of building



Catalogue no	Weight [kg]
SLV-M-01-03-01	2,00

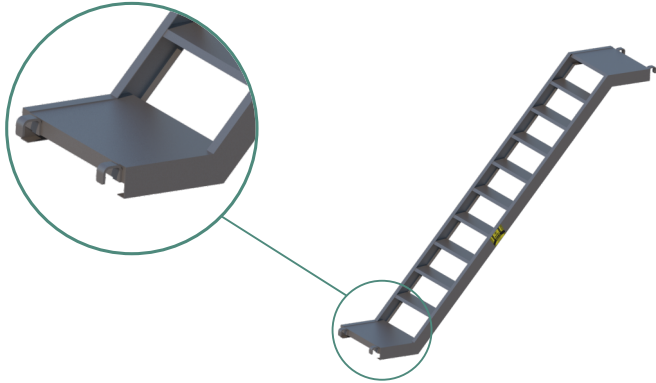
Catalogue no	Length [m]	Weight [kg]
SLV-M-04-01-01	0,73	2,7
SLV-M-04-01-02	1,09	3,3
SLV-M-04-01-03	1,40	3,9
SLV-M-04-01-04	1,57	4,1
SLV-M-04-01-05	2,07	5,0
SLV-M-04-01-06	2,57	5,9
SLV-M-04-01-07	3,07	6,8

Catalogue no	Width [m]	Weight [kg]
SLV-M-10-01-01	0,39	3,9
SLV-M-10-01-02	0,73	6,3

Catalogue no	Width [m]	Weight [kg]
SLV-M-10-01-03	0,39	3,9
SLV-M-10-01-04	0,73	4,9

► O-STAIRS ALUMINIUM

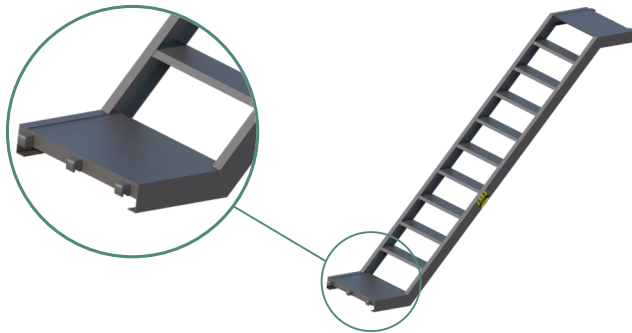
- » fully aluminium
- » putted on O-ledger
- » anti-slip route up and down without decreasing working area



Catalogue no	Length [m]	Weight [kg]
SLV-M-11-01-00	1,00	11,0
SLV-M-11-01-03	2,57	20,0
SLV-M-11-01-04	3,07	24,0

► U-STAIRS ALUMINIUM

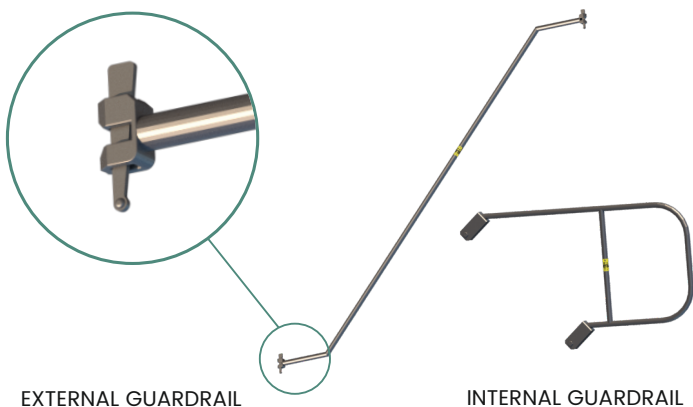
- » fully aluminium
- » putted on U-ledger
- » anti-slip route up and down without decreasing working area



Catalogue no	Length [m]	Weight [kg]
SLV-73-16-02-00	1,00	12,0
SLV-73-16-02-02	2,57	21,0
SLV-73-16-02-01	3,07	25,0

► STEEL SINGLE HANDRAIL

- » made of hot dipped galvanized steel
- » designed to secure external and internal side of stairs



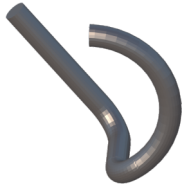
EXTERNAL GUARDRAIL

INTERNAL GUARDRAIL

Catalogue no	To Field	Weight [kg]
SLV-M-11-01-05 external	2,57	12,6
SLV-M-11-01-06 external	3,07	15,8
SLV-M-11-01-07 internal	universal	12,0

► PIG TAIL PIN

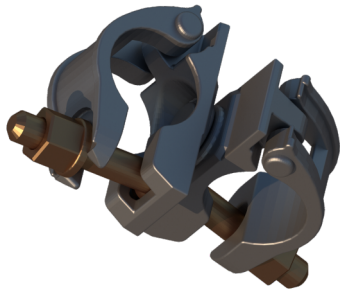
- » used for connecting stands
- » it serves as a protection against disconnection



Catalogue no	Weight [kg]
SLV-UNI-10-01-01	0,10

► SWIVEL COUPLER

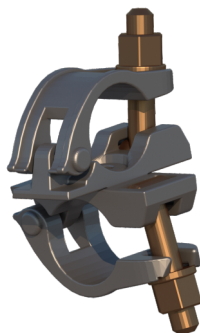
- » made of hot dipped galvanized steel
- » classification according DIN EN 74-1 RA BB
- » is used to connect scaffold tubes at any angle



Catalogue no	Weight [kg]
SLV-UNI-03-01-01 hot dipped galvanized	1,30
SLV-UNI-03-01-02 galvanized	1,20

► NORMAL COUPLER

- » made of hot dipped galvanized steel
- » classification according DIN EN 74-1RA BB
- » is used to connect at an angle of 90°
- » necessary to connect scaffolding to a building

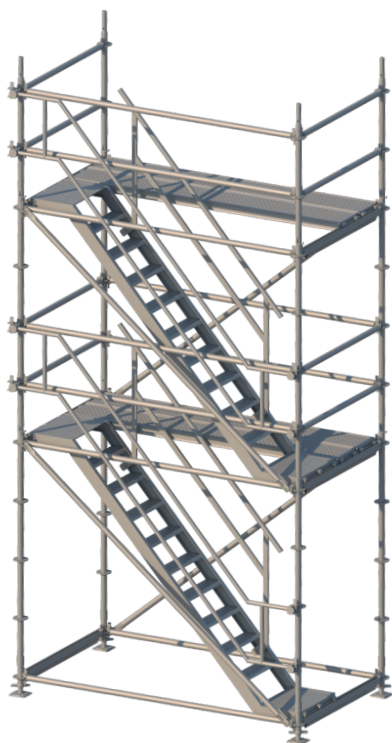


Catalogue no	Weight [kg]
SLV-UNI-02-01-01 hot dipped galvanized	1,20
SLV-UNI-02-01-02 galvanized	1,10

LENGTH OF SCAFFOLDING X HEIGHT [m]			24,56 x 8,3	61,40 x 8,3	119,73 x 8,3	UNIT WEIGHT [kg]
WORKING AREA [m2]			203,85	509,62	993,76	
LP.	CATALOGUE NO	NAME	QUANTITY [pcs]	QUANTITY [pcs]	QUANTITY [pcs]	
1.	SLV-M-08-02-14	O type Steel plank 3,07 m x 0,32 m	42	108	216	19,50
2.	SLV-M-06-01-07	Vertical Diagonal brace 3,07 x 2,00 m	6	12	24	12,10
3.	SLV-M-05-01-07	Wooden toeboard 3,07 m	24	60	117	6,30
4.	SLV-M-09-01-20	O-Aluplywood plank with ladder 3,07 m x 0,61 m	3	6	9	28,80
5.	SLV-M-05-01-01	Wooden toeboard 0,73 m	6	6	6	1,50
6.	SLV-UNI-01-01-09	Anchor 0,4 m UNI	15	36	70	2,00
7.	SLV-UNI-02-01-01	Dowel UNI	15	36	70	1,20
8.	SLV-UNI-19-01-05	Normal coupler OO UNI	15	36	70	0,28
9.	SLV-UNI-22-01-01	Eye bolt 0,23 m UNI	15	36	70	0,01
10.	SLV-UNI-07-02-01	Jack base L-500 mm OG UNI	18	42	80	3,35
11.	SLV-M-01-01-04	Vertical stand 2,00 m	54	126	240	9,80
12.	SLV-M-01-05-01	Starting collar 0,23 m	18	42	80	1,40
13.	SLV-M-01-01-02	Vertical stand 1,00 m	11	23	42	5,40
14.	SLV-M-02-01-07	Ledger 3,07 m	112	280	546	11,00
15.	SLV-M-02-01-01	Ledger 0,73 m	48	96	172	3,50
TOTAL WEIGHT [kg]			2109,06	5119,08	9904,30	

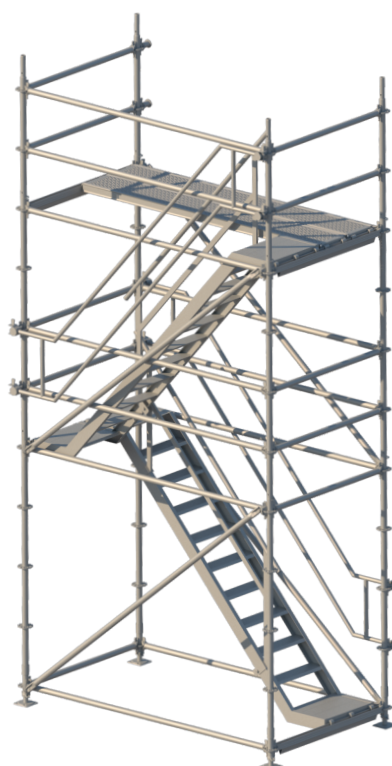
STAIRCASES

One way Staircase



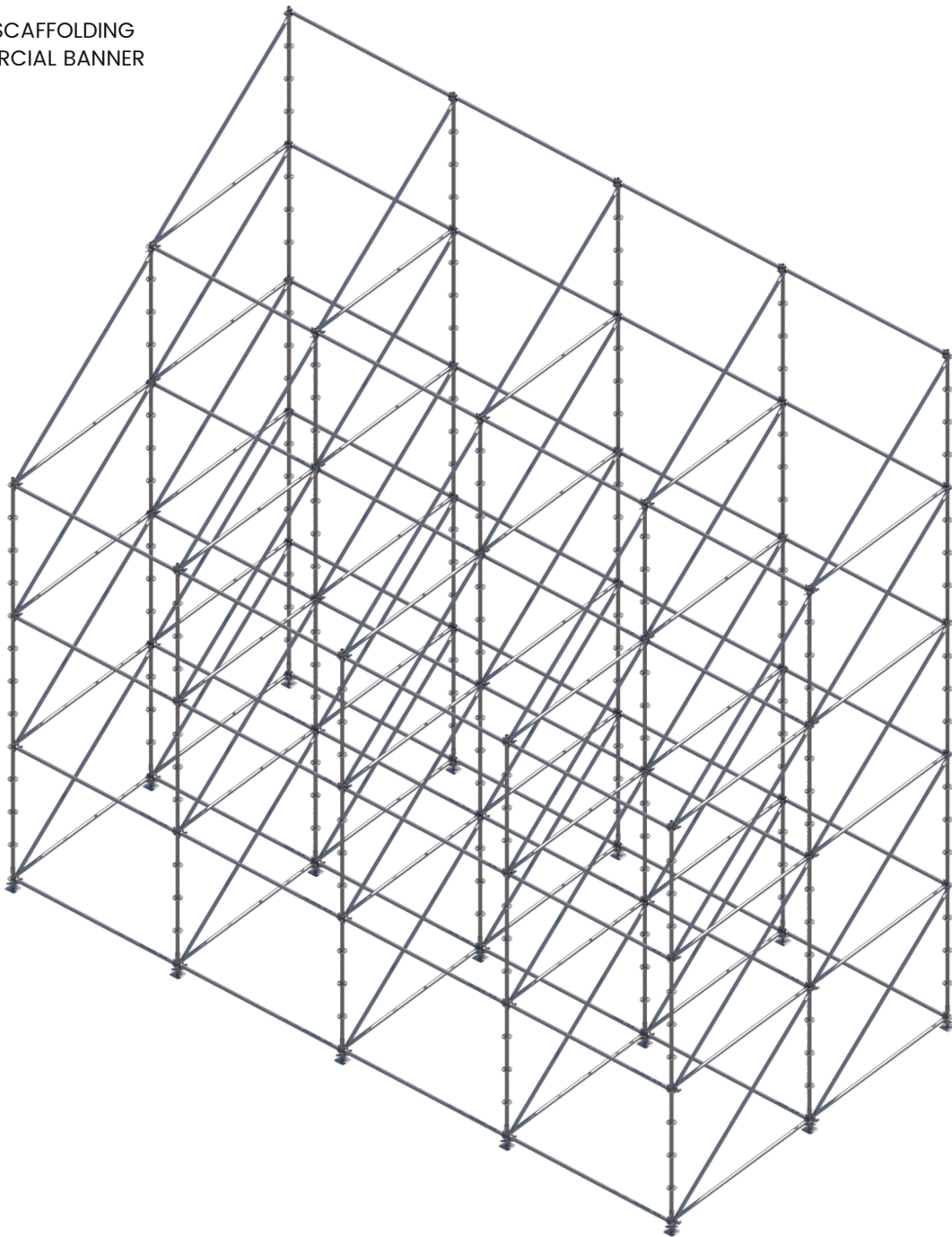
LP.	CATALOGUE NO	NAME	QUANTITY [pcs]	UNIT WEIGHT [kg]
1.	SLV-M-01-01-04	Vertical Stand 2,00 m	8	78,4
2.	SLV-M-01-01-02	Vertical Stand 1,00 m	4	21,6
3.	SLV-73-16-02-01	Aluminium stairs 3,07 m RAM 1	2	50
4.	SLV-UNI-07-02-01	Jack base L-500 mm OG UNI	4	13,4
5.	SLV-M-06-03-03	Horizontal brace 3,07 x 3,07 m	4	56
6.	SLV-73-02-01-01	U type Steel plank 3,07 m x 0,32 m	4	76
7.	SLV-M-03-01-03	U-Ledger Reinforced 1,40 m	6	49,8
8.	SLV-M-02-01-03	Ledger 1,40 m	8	46,4
9.	SLV-M-02-01-07	Ledger 3,07 m	12	132
10.	SLV-M-01-05-01	Starting Collar	4	5,6
11.	SLV-73-17-02-01	Aluminium internal guardrail for stairs RAM 1	2	30
12.	SLV-M-11-01-06	Single Outside Staircase Handrail 3,07 m	4	63,2
TOTAL WEIGHT [kg]				622,4

Two way Staircase



LP.	CATALOGUE NO	NAME	QUANTITY [pcs]	UNIT WEIGHT [kg]
1.	SLV-M-01-01-04	Vertical Stand 2,00 m	8	78,4
2.	SLV-M-01-01-02	Vertical Stand 1,00 m	4	21,6
3.	SLV-73-16-02-01	Aluminium stairs 3,07 m RAM 1	2	50
4.	SLV-UNI-07-02-01	Jack base L-500 mm OG UNI	4	13,4
5.	SLV-M-06-03-03	Horizontal brace 3,07 x 3,07 m	4	56
6.	SLV-73-02-01-01	U type Steel plank 3,07 m x 0,32 m	2	38
7.	SLV-M-03-01-03	U-Ledger Reinforced 1,40 m	4	33,2
8.	SLV-M-02-01-03	Ledger 1,40 m	10	58
9.	SLV-M-02-01-07	Ledger 3,07 m	12	132
10.	SLV-M-01-05-01	Starting Collar	4	5,6
11.	SLV-73-17-02-01	Aluminium internal guardrail for stairs RAM 1	2	30
12.	SLV-M-11-01-06	Single Outside Staircase Handrail 3,07 m	4	63,2
TOTAL WEIGHT [kg]				597,4

EXEMPLARY SCAFFOLDING
FOR COMMERCIAL BANNER



Length: 10,28 m
Height: 10,00 m
Width: 5,14 m

LP.	CATALOGUE NO	NAME	QUANTITY [pcs]	UNIT WEIGHT [kg]
1.	SLV-UNI-24-01-01	Wooden base	15	72
2.	SLV-UNI-07-02-01	Jack base L-500 mm OG UNI	15	50,25
3.	SLV-M-01-05-01	Starting Collar	15	21
4.	SLV-M-01-01-04	Vertical Stand 2,00 m	60	588
5.	SLV-M-06-01-06	Vertical Diagonal brace 2,57 x 2,00 m	53	583
6.	SLV-M-02-01-06	Ledger 2,57m	105	1018,5
7.	SLV-UNI-10-01-01	Pig tail pin UNI	45	4,5
TOTAL WEIGHT [kg]				2337,25



**If you appreciate safety, trust and the highest quality of services,
we invite you to contact us and establish cooperation.**

HEAD OFFICE AND WAREHOUSE

Cieśle 1G, 56-400 Oleśnica
tel. 071 315 41 40, fax 071 315 40 18
e-mail: biuro@slv-group.eu

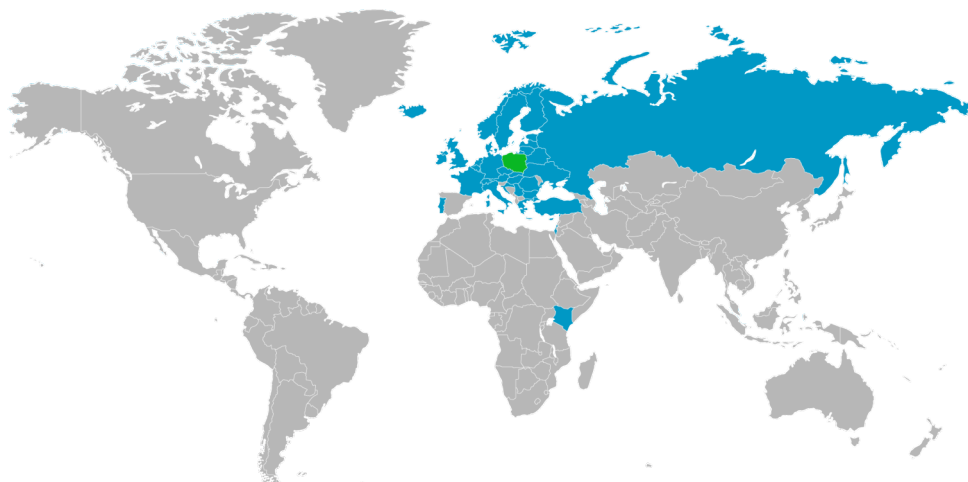
BRANCH IN WARSAW

ul. Mszczonowska 20B, 05-090 Janki
tel. mob. + 48 531 908 771
e-mail: warszawa@slv-group.eu

BRANCH IN KRAKOW

ul. Myślenicka 121, 32-031 Mogilany
tel. mob. + 48 509 539 202
e-mail: krakow@slv-group.eu

Slv Group scaffolding can meet in different places on whole world





Cieśle 1G, 56-400 Oleśnica
tel. 071 315 41 40, fax 071 315 40 18
e-mail: biuro@slv-group.eu

WWW.SLV-GROUP.EU